

HINGED CLOSURE FOR A CONTAINER

Steven Wolfowitz, a chemical engineer, invented a Snap-hinged closure for containers. The invention concerns a closure for a container such as a plastic bottle in which a hinged cap has a lug adjacent its hinge or between its pair of hinges, and a protrusion on the container whose upper surface is within the radius of movement of the lug so that the latter can only pass the protrusion due to resilience of one or both and when the cap is returned to its closed position, the lug engages the protrusion to maintain the cap open until force is used to cause this lug to move past the protrusion.

This type of closure is widely used for sauce bottles, etc.

STEVEN ALAN WOLFOWITZ

FORMAL DRAWINGS

ONE SHEET

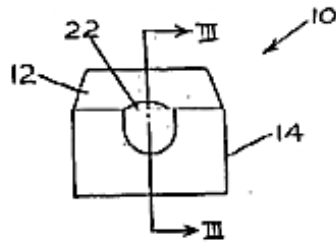


FIG 1

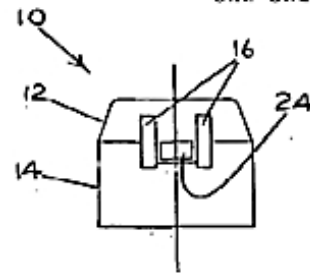


FIG 2

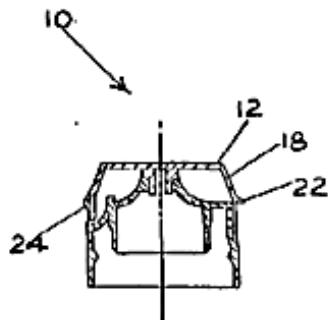


FIG 3

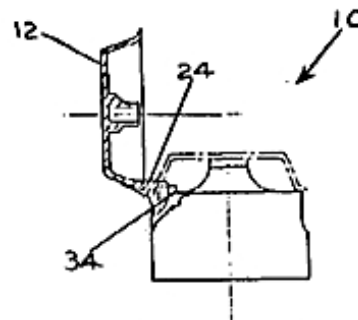


FIG 4

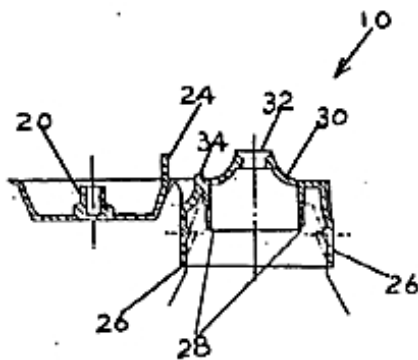


FIG 5

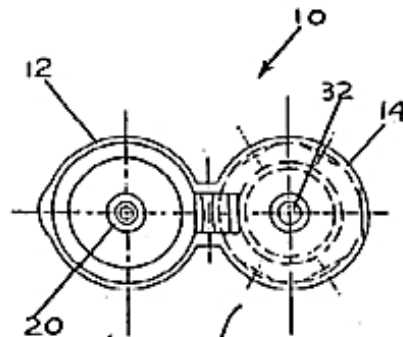


FIG 6

IAN MORRISON & COMPANY
APPLICANTS' PATENT ATTORNEYS